

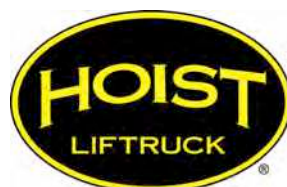


SPECIFICATION SHEET

FR SERIES

FR 15/25: 15,000 – 25,000 lbs. (7-11 tonnes)
FR 25/35: 25,000 – 35,000 lbs. (11-16 tonnes)
FR 40/60: 40,000 – 60,000 lbs. (18-27 tonnes)
FR 60/80: 60,000 – 80,000 lbs. (27-36 tonnes)

REV063015



FR SERIES: STANDARD & OPTIONAL EQUIPMENT

Operator Cab

- Meets ANSI B56.1 FOPS operator protection
- Left-hand operator position for optimal line of sight
- Rubber-mounted cab isolated from frame to reduce noise and vibration
- Overhead guard provides safety without obstructing views
- Low, non-skid steps for safe and easy entry/exit
- Adjustable semi-suspension seat and retractable seat belts
- Onboard Load Calculator provides capacities for forks and boom for all counterweight slab variations and chassis extension position
- Master digital display unit provides all vehicle gauges (e.g. oil temperature, fuel level)
- Engine fault code diagnostic capability
- Soft-touch hydraulic levers
- Tilt-steering column
- Spring-apply/hydraulic-release parking brake
- Hydraulic weight scale

Mast & Carriage

- Quick-Change Fork System for quick connect/disconnect of attachments
- Heavy-duty mast rails provide visibility and full capacity at maximum lift heights
- High-strength adjustable composite wear pads on boom
- Main and side thrust rollers are impact-resistant and designed to reduce friction
- Greaseable mast pivots constructed with wear-resistant bronze bushings and hardened steel pins
- Safety valve built into base of lift cylinder securely holds load in event of hose failure
- Chrome-plated cylinder rods

Power

- GM 3.0L LPG (FR 15/25, FR 25/35 and FR 40/60) or GM 4.3L LPG (FR 60/80) engine
- Electronic engine diagnostics with fault code history
- Built-in engine protection system
- Heavy-duty isolated anti-vibration bolt-in drive line mounts
- Inboard muffler
- Heavy-duty alternator with built-in regulator (amps vary with capacity)
- Externally mounted charge pump and integral filter allow for easy maintenance
- O-ring face seal fittings on entire system prevent oil leaks
- Tilt-lock counterbalance valve to prevent mast drift
- Easy-access oil filter and drain for quick and easy maintenance
- Large clean-out covers on top of hydraulic tank for easy access and convenient drain plug on bottom
- Filters are easily accessible for quick replacement
- Electric fan with automated reversing feature to keep radiator clean (only on FR 15/25 and FR 25/35)
- Hydraulic multi-gauge provides quick and easy pressure readings with a twist of the dial; eliminates the need to tap into hydraulic lines
- Standard 12-volt electrical system
- Color-coded electrical wires enclosed with split-tubing wire loom wrap using sealed weather pack connectors

Strength

- Planetary drives rated for durability in high-capacity, high-torque applications
- Double reduction gearing for increased torque
- Precision ground, heat-treated gears

Industrial Steer Axle

- Thick top plate on welded beam steer axle provides added strength
- Highly maneuverable in tight areas
- Dual-action bolt on cylinder is protected by heavy steel support beams and provides effortless power steering
- Lower maintenance costs due to minimal amount of moving parts
- Easy-access lubrication points
- Tapered roller bearings
- High-impact greaseable composite trunnions

Paint/Finish

- Two-part rust-inhibiting polyurethane base coat and two-part polyurethane top coat for corrosion protection
- Majority of components are powder-coated, which is up to 10 times thicker than traditional spray paint resulting in greater scratch and chip resistance
- Environmentally friendly; produces virtually no VOCs

Serviceability

- Hinged panels and hoods supported by gas shocks to reach entire drivetrain, hydraulics and filters
- Hydraulic multi-gauge provides quick and easy pressure readings with a twist of the dial, eliminating the need to tap into individual hydraulic lines
- Every component sourced from a reputable vendor or manufactured by Hoist Liftruck providing cost savings and rapid parts availability

Optional Equipment & Features

- Remote control for all vehicle functions
- Fire extinguisher
- Single- or dual-camera/monitor packages
- Additional two- and three-stage mast options for increased lift heights
- Side-shifting, independent fork positioner (SS/FP)
- Boom attachments: hooks, shackles, swivels and more
- Additional work lights
- Hydraulic service brakes

Note: Specifications in this document apply to standard equipment. Actual specifications and performance may vary depending on custom specifications, equipment condition and operating environment. Specific applications should be reviewed with a Hoist Liftruck representative.

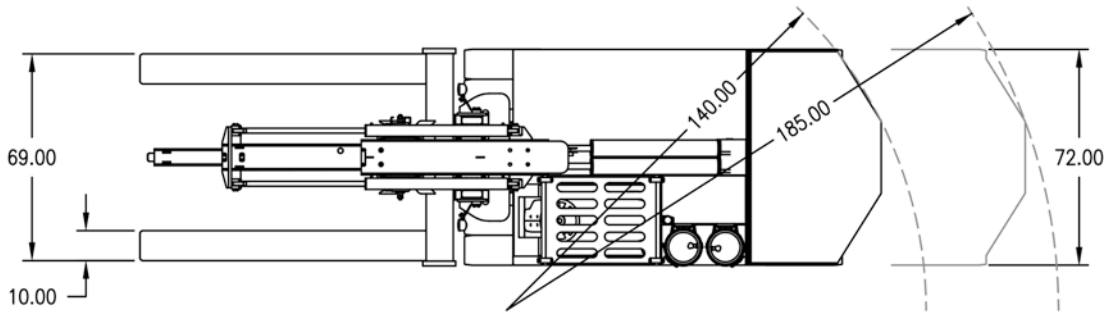
6499 W. 65th St. | Bedford Park, Illinois 60638 USA | 708.458.2200 | hoistlift.com



Courtesy of Crane.Market

FR SERIES 40/60

40,000 / 60,000 lbs. (18-27 tonnes)



WEIGHTS - lbs (kg)

Counterweight
16,240 (7,366)

Boom
5,500 (2,495)

Forks
3,100 (1,406)

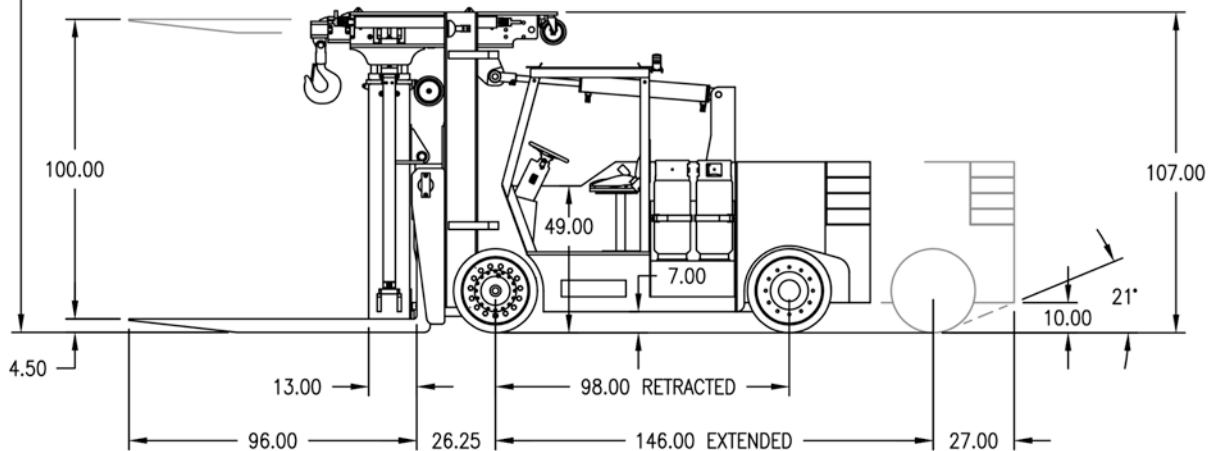
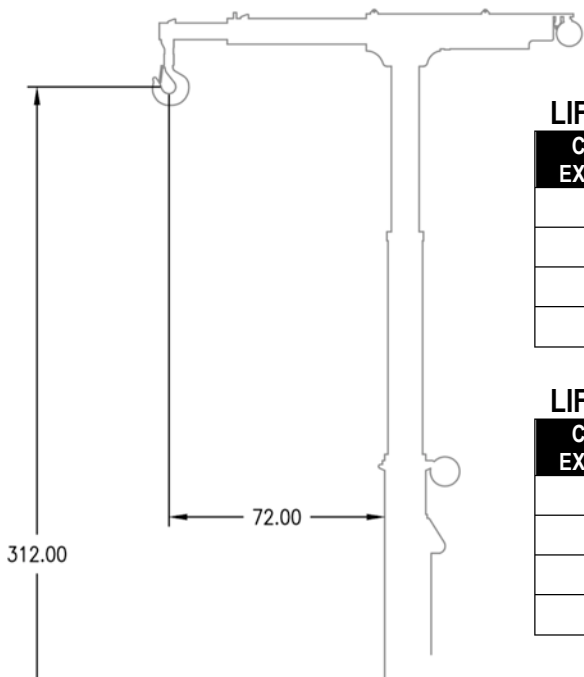
Total
56,627 (25,685)

LIFT CAPACITIES: FORKS ONLY

| COUNTERWEIGHT EXTENSION - in (mm) | WHEELBASE in (mm) | LOAD CENTER in (mm) | # OF SLABS | LIFT CAPACITY lbs (kg) |
|-----------------------------------|-------------------|---------------------|------------|------------------------|
| 0 (0) | 98 (2,500) | 36 (900) | 0 | 22,300 (10,115) |
| 0 (0) | 98 (2,500) | 36 (900) | 7 | 41,800 (18,960) |
| 48 (1,200) | 146 (3,700) | 36 (900) | 0 | 31,500 (14,288) |
| 48 (1,200) | 146 (3,700) | 36 (900) | 7 | 60,500 (27,442) |

LIFT CAPACITIES: BOOM ONLY

| COUNTERWEIGHT EXTENSION - in (mm) | WHEELBASE in (mm) | LOAD CENTER in (mm) | # OF SLABS | LIFT CAPACITY lbs (kg) |
|-----------------------------------|-------------------|---------------------|------------|------------------------|
| 0 (0) | 98 (2,500) | 36 (900) | 0 | 20,700 (9,389) |
| 0 (0) | 98 (2,500) | 36 (900) | 7 | 39,900 (18,100) |
| 48 (1,200) | 146 (3,700) | 36 (900) | 0 | 29,800 (13,517) |
| 48 (1,200) | 146 (3,700) | 36 (900) | 7 | 58,200 (26,400) |



Note: Specifications in this document apply to standard equipment. Actual specifications and performance may vary depending on custom specifications, equipment condition and operating environment. Specific applications should be reviewed with a Hoist Lifttruck representative.

6499 W. 65th St. | Bedford Park, Illinois 60638 USA | 708.458.2200 | hoistlift.com



Courtesy of Crane.Market